

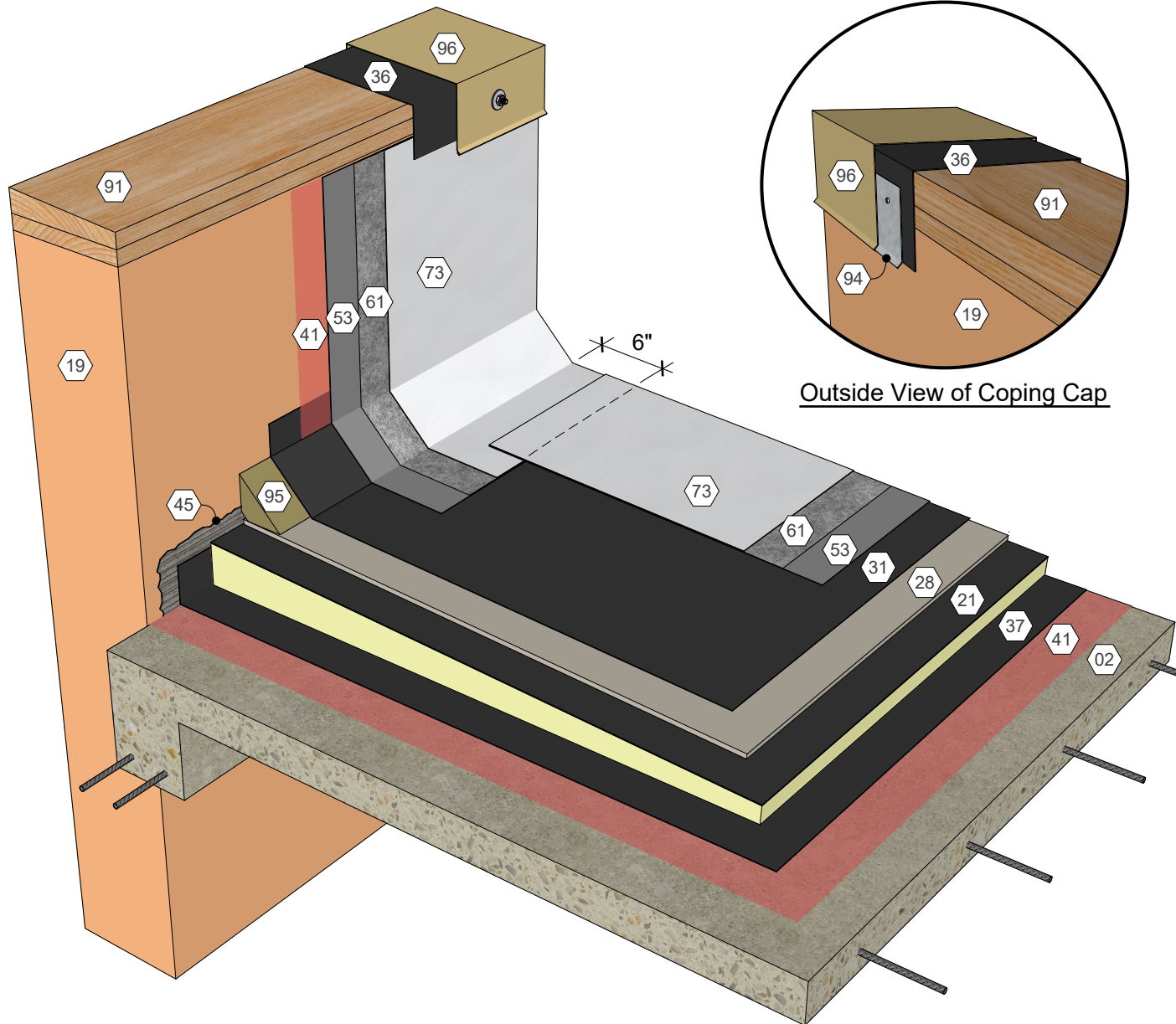
Outside View of Coping Cap

**KEY NOTES**

- ① Metal Deck
- ⑨ Roof Structure
- ⑱ Wall Assembly
- ② Polyisocyanurate Insulation (Fastened or Adhered)
- ⑲ Substrate Board (Fastened)
- ⑲ Cover Board (Adhered)
- ⑳ Approved Base Ply Sheet
- ⑳ Base Sheet Liner
- ㉑ Approved Base Sheet (Adhered)
- ㉒ Approved Primer
- ㉓ Roofing Mastic
- ㉔ AlphaGuard PUMA Base Coat
- ㉕ AlphaGuard Glass Mat or Permafab
- ㉖ AlphaGuard PUMA Top Coat
- ㉗ Wood Blocking
- ㉘ Continuous Cleat
- ㉙ Cant Strip
- ㉚ Metal Coping

AlphaGuard® PUMA Plus Coping Cap, Temp. Roof, Metal Deck  
Detail 34011

**TREMCO**  
ROOFING & BUILDING MAINTENANCE

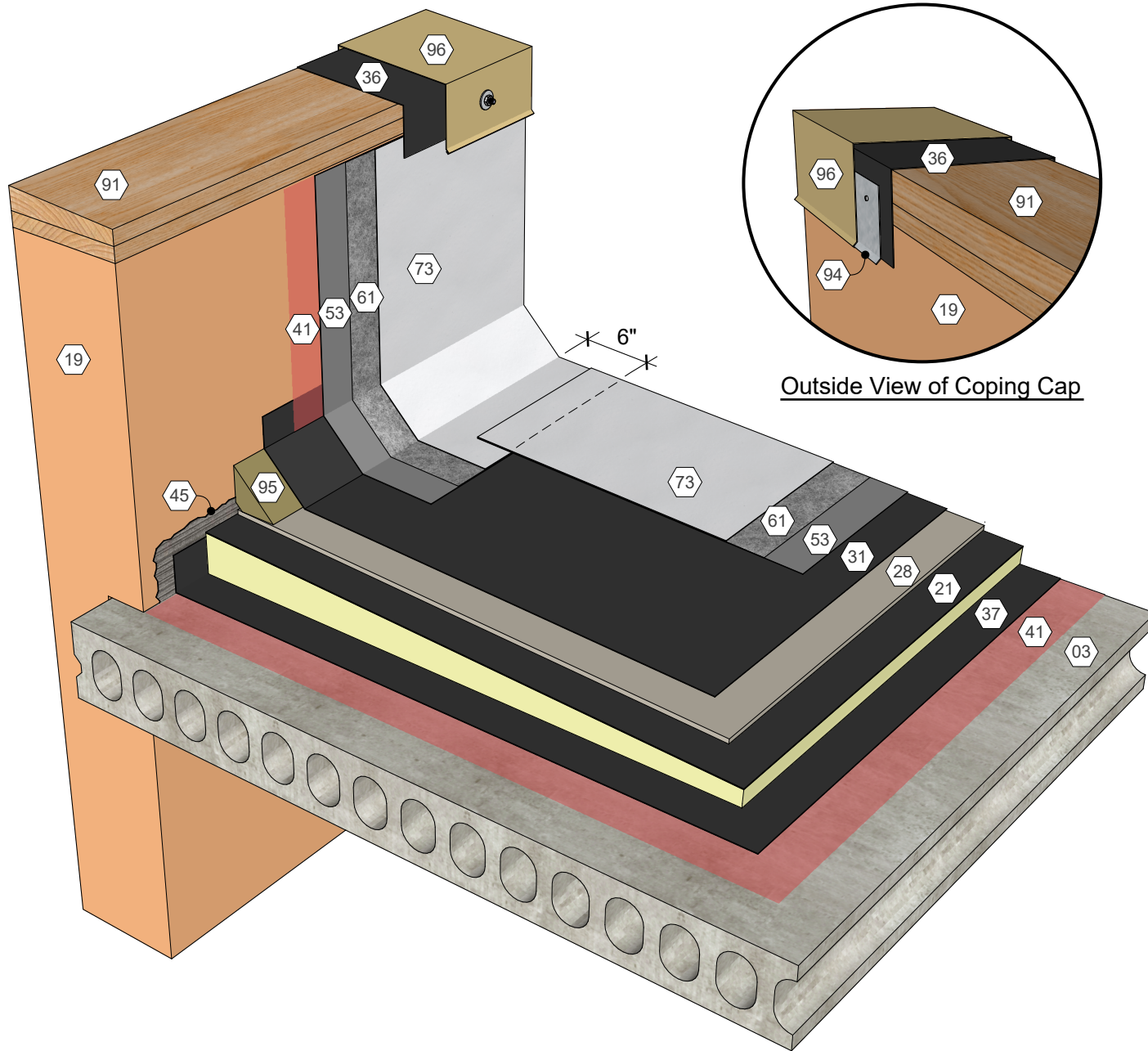


Outside View of Coping Cap

**KEY NOTES**

- 02 Structural Concrete Deck
- 19 Wall Assembly
- 21 Polyisocyanurate Insulation (Adhered)
- 28 Cover Board (Adhered)
- 31 Approved Base Ply Sheet
- 36 Base Sheet Liner
- 37 Approved Base Sheet (Adhered)
- 41 Approved Primer
- 45 Roofing Mastic
- 53 AlphaGuard PUMA Base Coat
- 61 AlphaGuard Glass Mat or Permafab
- 73 AlphaGuard PUMA Top Coat
- 91 Wood Blocking
- 94 Continuous Cleat
- 95 Cant Strip
- 96 Metal Coping

AlphaGuard® PUMA Plus Coping Cap, Temp. Roof, Structural Concrete Deck  
Detail 34012



Outside View of Coping Cap

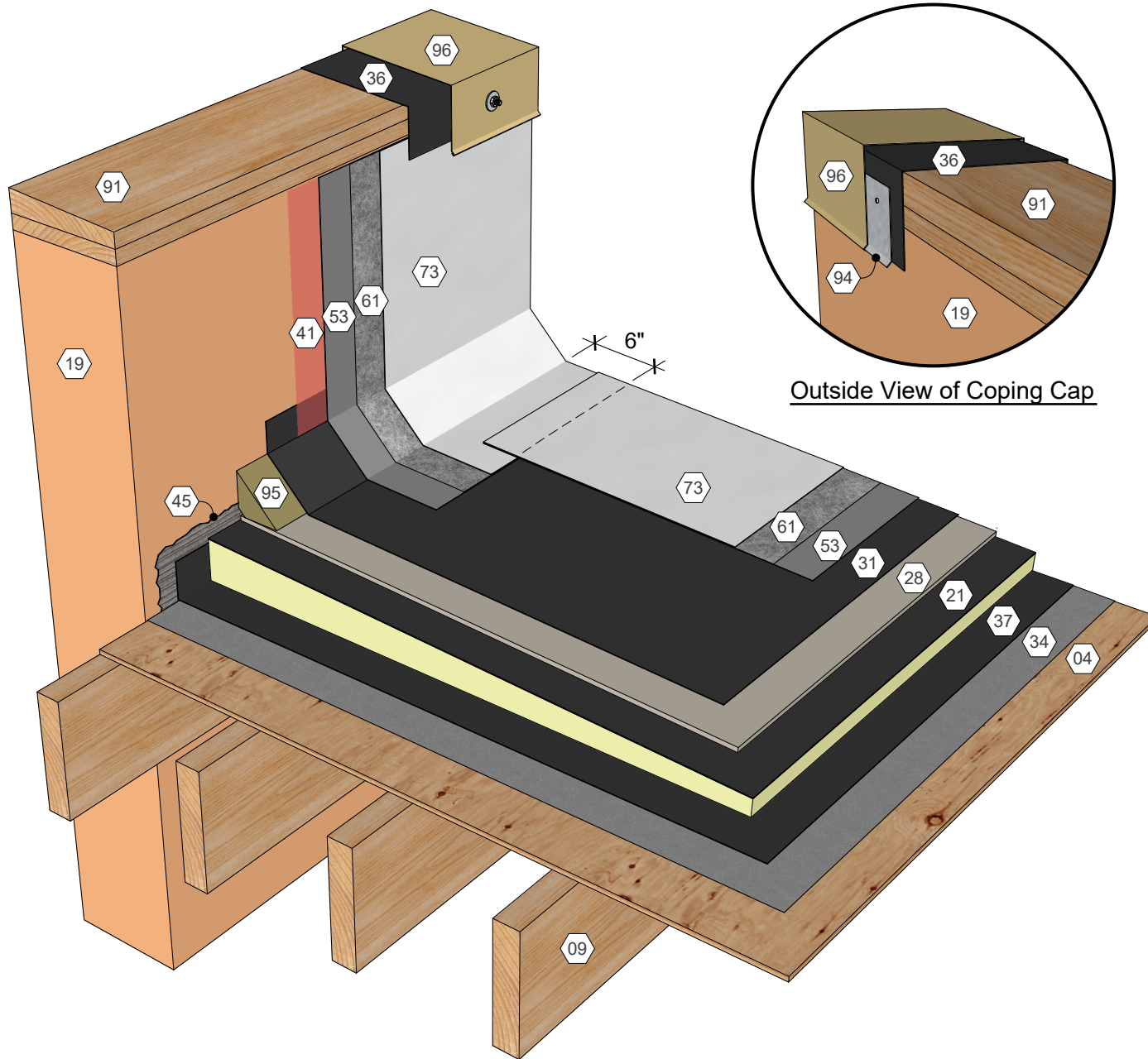
**KEY NOTES**

- 03 Precast Concrete Deck
- 19 Wall Assembly
- 21 Polyisocyanurate Insulation (Adhered)
- 28 Cover Board (Adhered)
- 31 Approved Base Ply Sheet
- 36 Base Sheet Liner
- 37 Approved Base Sheet (Adhered)
- 41 Approved Primer
- 45 Roofing Mastic
- 53 AlphaGuard PUMA Base Coat
- 61 AlphaGuard Glass Mat or Permafab
- 73 AlphaGuard PUMA Top Coat
- 91 Wood Blocking
- 94 Continuous Cleat
- 95 Cant Strip
- 96 Metal Coping

AlphaGuard® PUMA Plus Coping Cap, Temp. Roof, Precast Concrete Deck  
 Detail 34013

**TREMCO**  
 ROOFING & BUILDING MAINTENANCE





## KEY NOTES

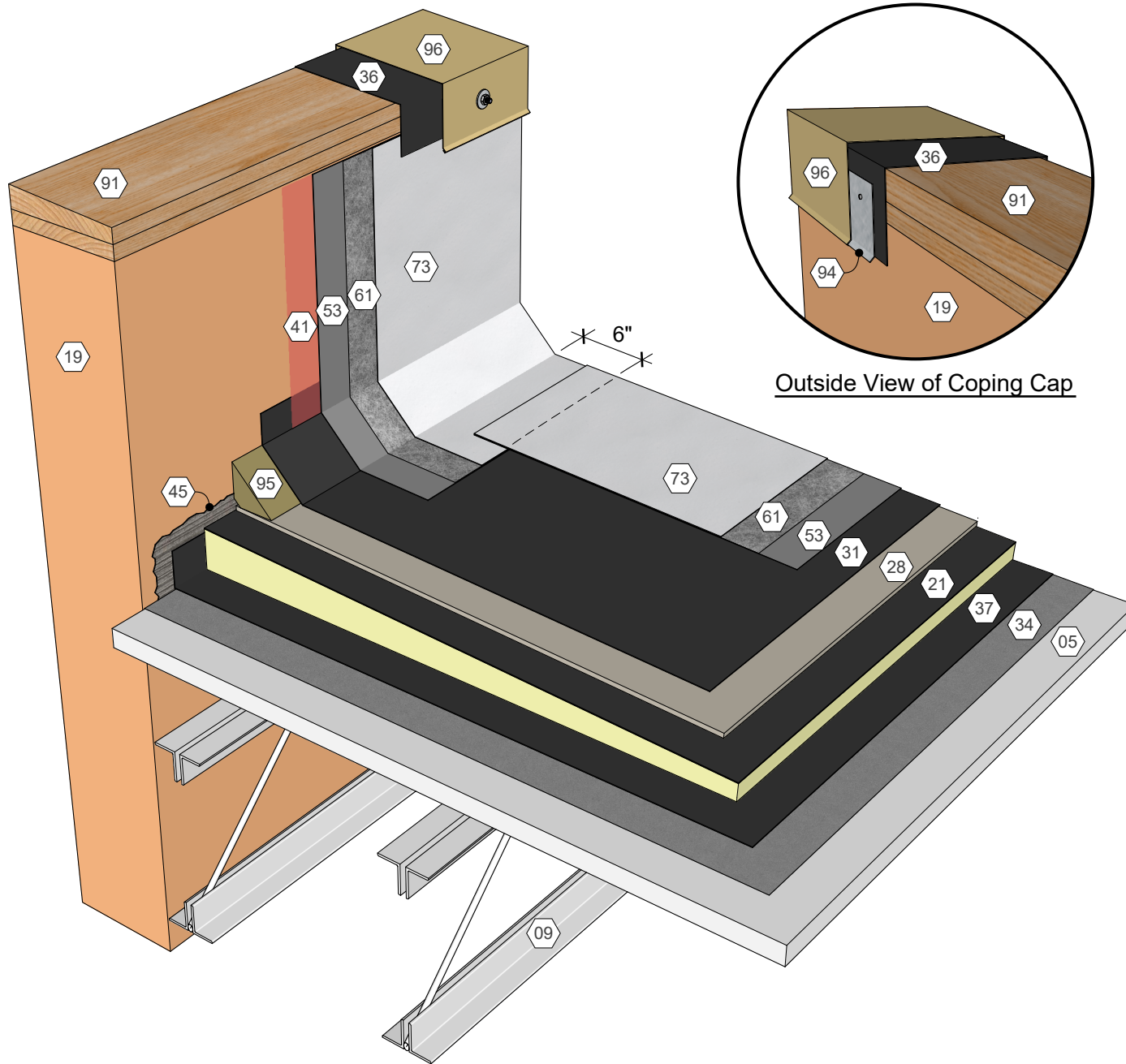
- 04 Wood Deck
- 09 Roof Structure
- 19 Wall Assembly
- 21 Polyisocyanurate Insulation (Adhered)
- 28 Cover Board (Adhered)
- 31 Approved Base Ply Sheet
- 34 Base Sheet (Fastened)
- 36 Base Sheet Liner
- 37 Approved Base Sheet (Adhered)
- 41 Approved Primer
- 45 Roofing Mastic
- 53 AlphaGuard PUMA Base Coat
- 61 AlphaGuard Glass Mat or Permafab
- 73 AlphaGuard PUMA Top Coat
- 91 Wood Blocking
- 94 Continuous Cleat
- 95 Cant Strip
- 96 Metal Copping

Outside View of Copping Cap

AlphaGuard® PUMA Plus Copping Cap, Temp. Roof, Wood Deck  
 Detail 34014

**TREMCO**  
 ROOFING & BUILDING MAINTENANCE





### KEY NOTES

- 05 Gypsum Deck
- 09 Roof Structure
- 19 Wall Assembly
- 21 Polyisocyanurate Insulation (Adhered)
- 28 Cover Board (Adhered)
- 31 Approved Base Ply Sheet
- 34 Base Sheet (Fastened)
- 36 Base Sheet Liner
- 37 Approved Base Sheet (Adhered)
- 41 Approved Primer
- 45 Roofing Mastic
- 53 AlphaGuard PUMA Base Coat
- 61 AlphaGuard Glass Mat or Permafab
- 73 AlphaGuard PUMA Top Coat
- 91 Wood Blocking
- 94 Continuous Cleat
- 95 Cant Strip
- 96 Metal Copping

AlphaGuard® PUMA Plus Copping Cap, Temp. Roof, Gypsum Deck  
Detail 34015